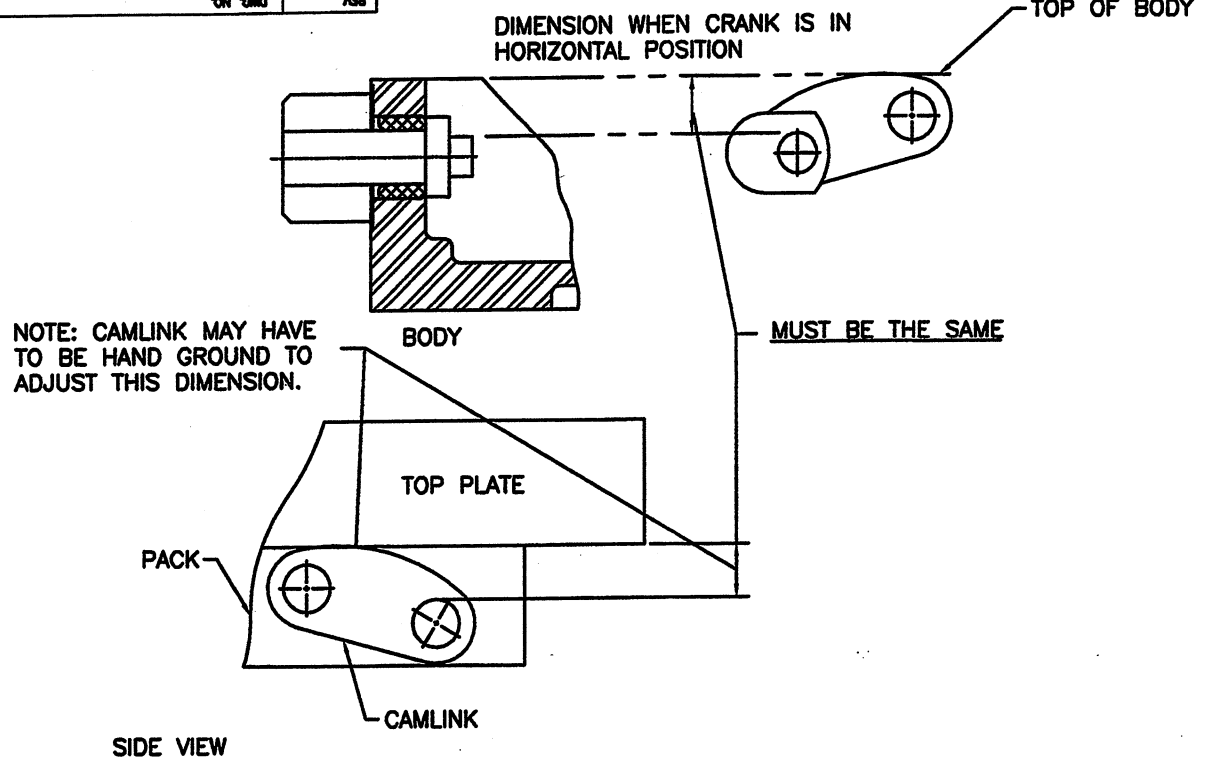
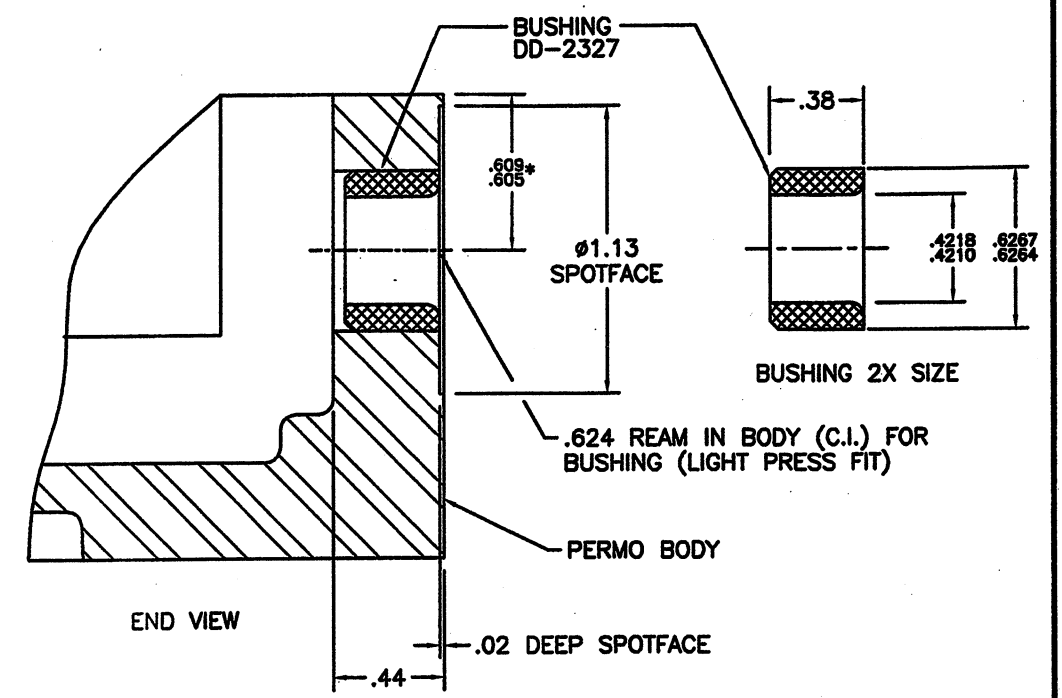


DD-15452



CAMLINK GRINDING

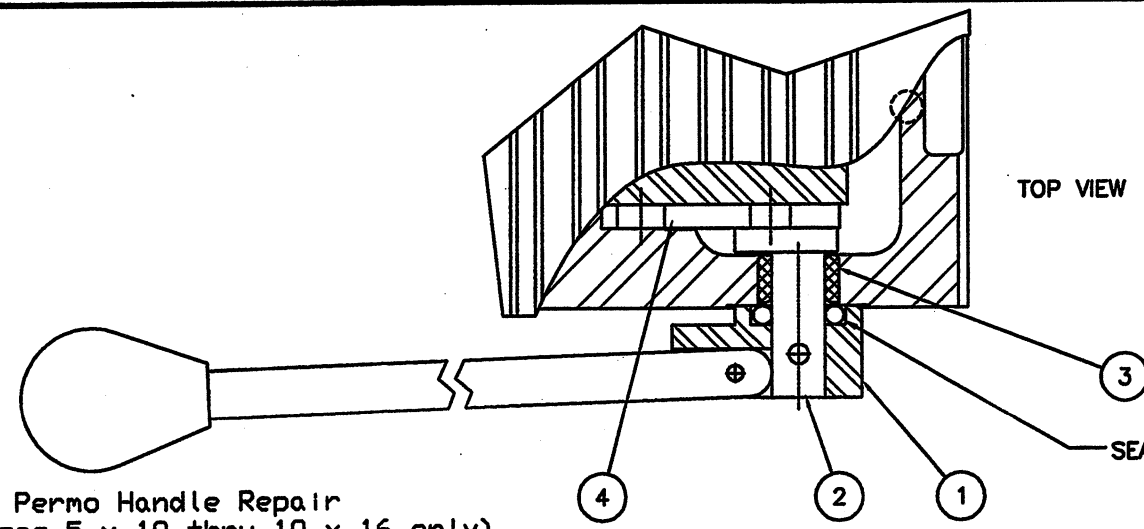
REFERENCE DD-2145



BUSHING INSTALLATION

* CHECK WITH PERMO BODY FOR DIMENSION.

REFERENCE DD-2152



SPARE PARTS

Ceramax Permo Handle Repair
(for sizes 5 x 10 thru 10 x 16 only)

1. Handle Assembly 58-BB984-length of chuck EX: 6 x 12 = BB984-12 (includes handle body CC609 or CC13172, handle rod DD1102-length, knob DD3527, seal DD1222, taper pin #2 taper x 7/8 LG.)
2. Crankshaft 39-DD999
3. Bushing 39-DD2327
4. Camlink 08-DXMY777

TOLERANCES: Unless otherwise specified tolerances on finished part shall be as follows: DEC. DIM of 1 Place ± .04, DEC. DIM of 2 Places ± .015, DEC. DIM of 3 Places ± .004, Flatness .001 per 12", Parallelism .001 per 12", Fractional DIMS ± .015, Concentricity .001, Squareness .001 per 12", Finish 125 RMS, Angles ± 30', Sheet metal tols per DD-13322, Remove sharp edges, Tols. not additive, Do not scale print, All Tols. total indicator reading.

Parent	~
BOM	~
Similar Part	~
Stock Mat'l	~
Weight	LBS
Sheet 1	of 1

NO.	REVISION	DATE	BY	ISSUED FOR	DATE	BY
CERAMAX HANDLE REPAIR PARTS AND REPAIR PROCEDURE						
DD15452.DWG		DATE		DWG. NO.		REV.
SCALE: ~		05/22/02		DD-15452		~
DRAWN BY: LINDAC						
CHECKED:						
APPROVED:						

PROJECT: ~
O.S.WALKER, INC.
Worcester, MASS 01606

Notice: This document contains proprietary information and such information may not be disclosed to others for any purposes without written permission from the O.S. Walker Co. Inc

REV. 2
DWG. NO. DD-15452