

ROTARY CHUCKS FOR TURNING AND GRINDING TURBINE BEARINGS AND GEARS

DEPENDABLE, FAST AND ACCURATE WORKHOLDING FOR BEARINGS AND GEARS



Magnetic Rotary Chucks are used for turning and grinding parts, such as bearings and gears for wind turbines, the automotive and aerospace industry.

These units offer the benefits of reducing set-up time and increasing productivity. Eliminate costly part deformation caused by conventional clamping methods.

No job is too big, Walker can help hold down the largest turbine bearing. Contact a Walker Representative today to discuss your workholding application.



**WALKER
MAGNETIX**

Magnetic Solutions Since 1896

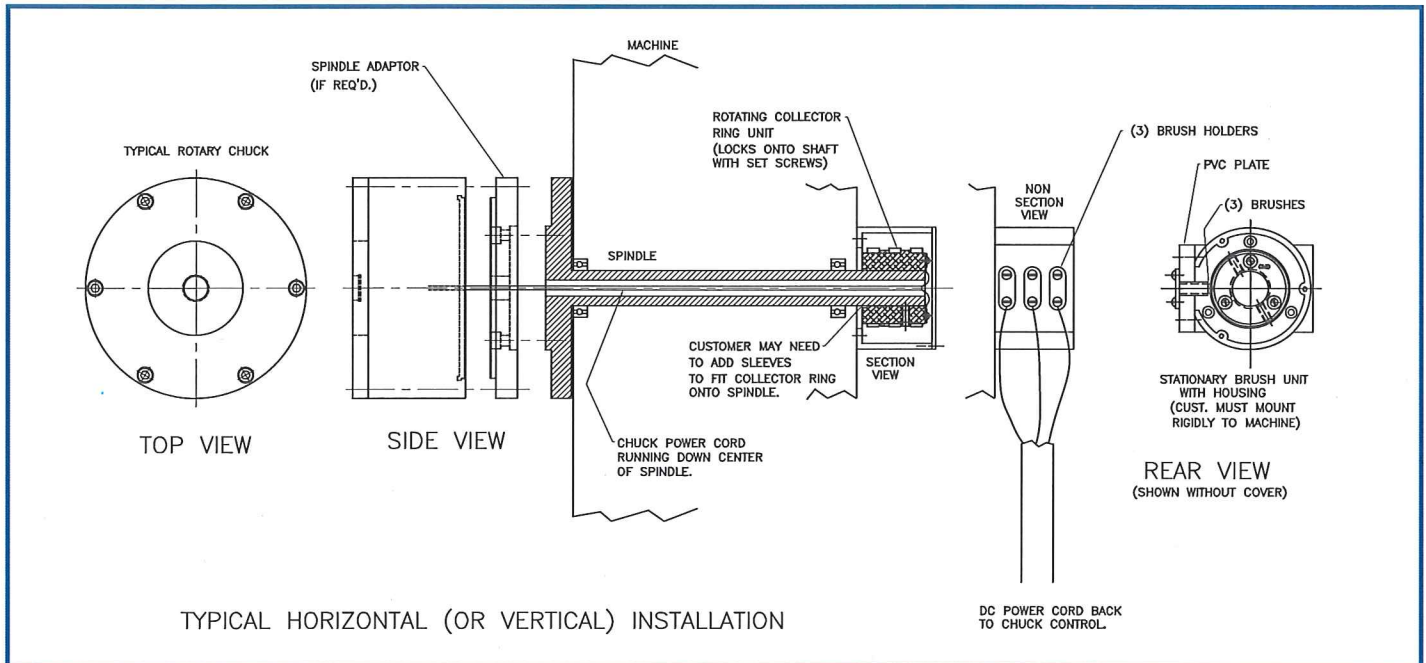
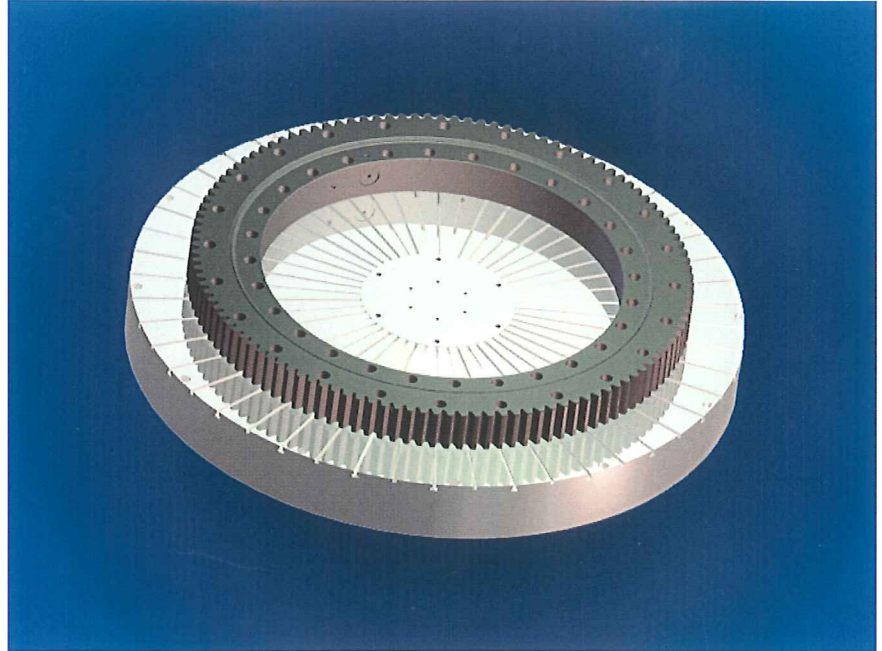


Rotary Electromagnetic & Electropermanent Chucks

Rotary Electromagnetic and Electropermanent Chucks are made in radial pole multi-coil design, used for hard turning and free state grinding. The radial pole design is recommended for holding circular work pieces such as rings and discs.

Most Radial Pole Chucks come with t-slots but, drilled and tapped holes are also available for mounting tooling.

The smaller chucks have four or six poles, while the larger chucks use a ten or twelve pole design.



20 ROCKDALE STREET • WORCESTER • MA • 01606
 Phone: 1-800-962-4638 Fax: (508)852-8649



WWW.WALKERMAGNET.COM