



BILLET / RAIL HANDLING MAGNETS

***Over 115
Years of***

**BILLET / RAIL
HANDLING
EXPERIENCE**

**Into/Out of
Storage**

**Unload Cooling
Beds**

**Load Reheat
Conveyor**

**Shipping &
Receiving
Loading/
Unloading
Trucks or
Railcars**



Walker Magnetics

60 Solferino St.
Worcester, MA 01604
800-962-4638 (508)853-3232
FAX (508)852-8649

Walker National

2195 Wright Brothers Ave
Columbus, OH 43217
(614)492-1614 FAX (614)492-1618

Walker Magnetics National

901 Arvin Avenue
Stoney Creek, Ont.
L8E 5N9 Canada
(905)643-3338 FAX (905)643-6111

www.walkermagnet.com

Heavy Steel Mill Duty Designed Magnets for Handling Hot or Cold Billets, Slabs, and Rail

WALKER billet and rail handling magnets are available in a wide range of sizes to accommodate your application. Because the majority of our magnets are welded, fabricated designs, we can customize the size as well as many optional features.

There are two basic magnetic circuits that we use in the designing and building of these magnets; the "GRABBER" three pole and the bi-polar designs.



STANDARD FEATURES:

- 230 volts DC input
- 75% duty cycle on ambient steel
- Class "H" Insulating Materials
- Copper or Aluminum Coil Windings
- Heavy Manganese Steel End Bumpers
- Heavy Manganese Steel Bottom Plates
- Resilient Potting Compound Allows for Expansion / Contraction when Heating and Cooling
- Heavy Steel Fabricated Case, Weatherproof Construction
- Double Compartment Weatherproof Junction Box

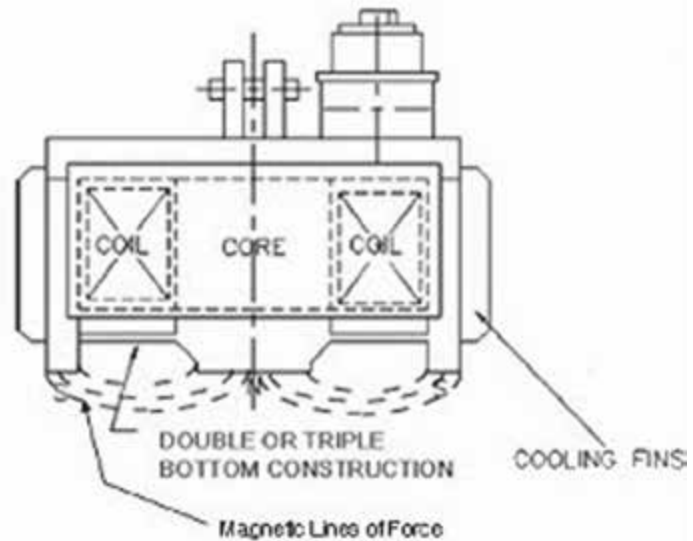
OPTIONAL FEATURES:

- Special Lifting Lugs, Chains, or Solid Yoke for Spreader Beam Attachment
- Bolted Pole Shoes for Field Replacement
- Heatmaster Features for Handling Steel Up to 600°C / 1100°F
- Double or Triple Bottom Plates to Shield Coils from Heat
- Refractory Material Between Bottom Plates for Added Heat Shielding
- Lower Power Consumption to Reduce Self-Generated Internal Heat
- 210°C to 220°C Insulating Materials and Potting Compound
- Heat Dissipating Fins on Magnet Case to Help Radiate Heat



3-Pole Grabber

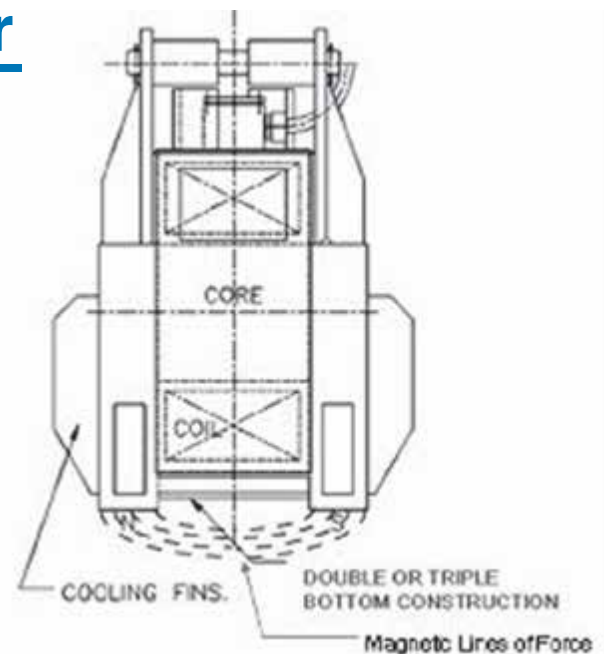
The 3-Pole Grabber (tri polar) design was developed over 80 years ago to help mills that were having difficulty lifting full layers of billets or rails due to the air gaps between the magnets' face and the billets/rails. These gaps are not unusual in normal steel mill production and it was time consuming to make return trips to retrieve warped billets that were not lifted the first time. WALKER's engineers designed billet magnets with very high penetrating power that are able to "snap-up" the warped billets, making full, dynamic lifts.



The 3-Pole GRABBER (tri-polar) design is most efficient for ambient temperature billet handling, but can easily be supplied with WALKER's Heatmaster features for handling billets at elevated temperatures.

2-Pole Grabber

The 2-Polar Grabber (bi-polar) design has all of the high powered penetrating ability of the 3-Pole Grabber style lifting magnets but has proven to have superior heat resistant capabilities due to the location and orientation of the coil. These magnets are generally taller and heavier than the equivalent capacity 3-Pole Grabber style of magnet, but these features contribute to the advantages that these magnets have for higher temperature steel handling.



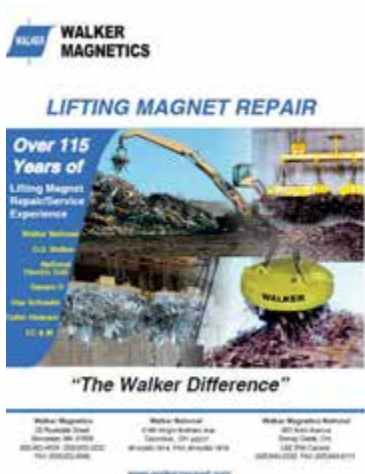
For more technical details about Walker's realistic approach to hot steel handling, request these bulletins: a) Walker Heatmaster Magnets b) Buddy Magnets.



Walker Magnetics has built hundreds of billet and rail lifting systems around the world. The experience of Walker assures you that the proper magnet will be supplied to handle your product whether it is at ambient or hot temperatures.

Visit <http://www.walkermagnet.com/material-handling-billets.htm> to fill out an application questionnaire or request a quote.

ADDITIONAL WALKER CATALOGS:



Walker Magnetics
60 Solferino St.
Worcester, MA 01604
800-962-4638 (508)853-3232
FAX (508)852-8649

Walker National
2195 Wright Brothers Ave
Columbus, OH 43217
(614)492-1614 FAX (614)492-1618

Walker Magnetics National
901 Arvin Avenue
Stoney Creek, Ont.
L8E 5N9 Canada
(905)643-3338 FAX (905)643-6111

www.walkermagnet.com